



## Tapered Rectangular

Emphasize your brand with the Tapered Rectangular Panel. Simple yet versatile, this shape can be mounted in a variety of ways, creating a canopy, projection wall or space divider.

With a lightweight **snap together frame** and easy to **zip on fabric**, the whole structure takes on 20 minutes to build from start to end.

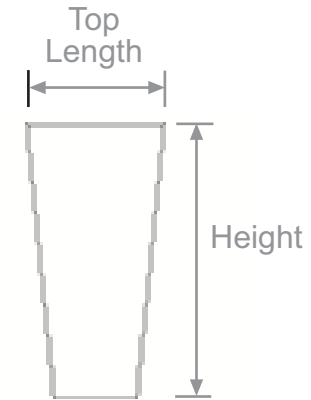
**Full Colour Print for strong branding**

**Three hanging options for maximum versatility, from signs to ceiling canopies**

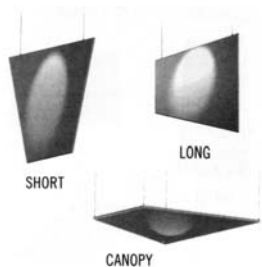
**Supplied with full instructions and hard wearing bag for re-use**

For a costing for this item, find out delivery times or any other information call us on: **0870 609 0051**.

Front View



Hanging options



Available Sizes

Length(mm)	Height(mm)	Hanging Weight
1830	915	4.0 kg
2440	1220	5.9 kg
3050	915	6.3 kg
3660	1220	9.0 kg
4880	1525	12.6 kg
6100	1525	14.5 kg